



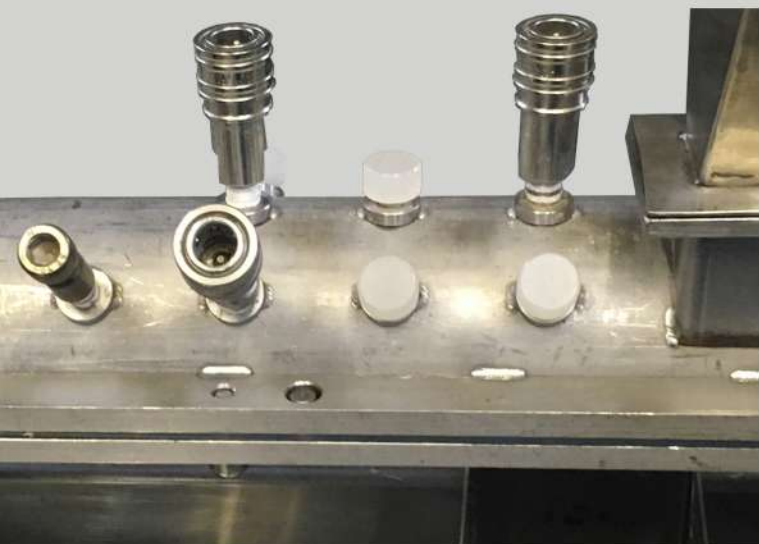
Steam Mixer



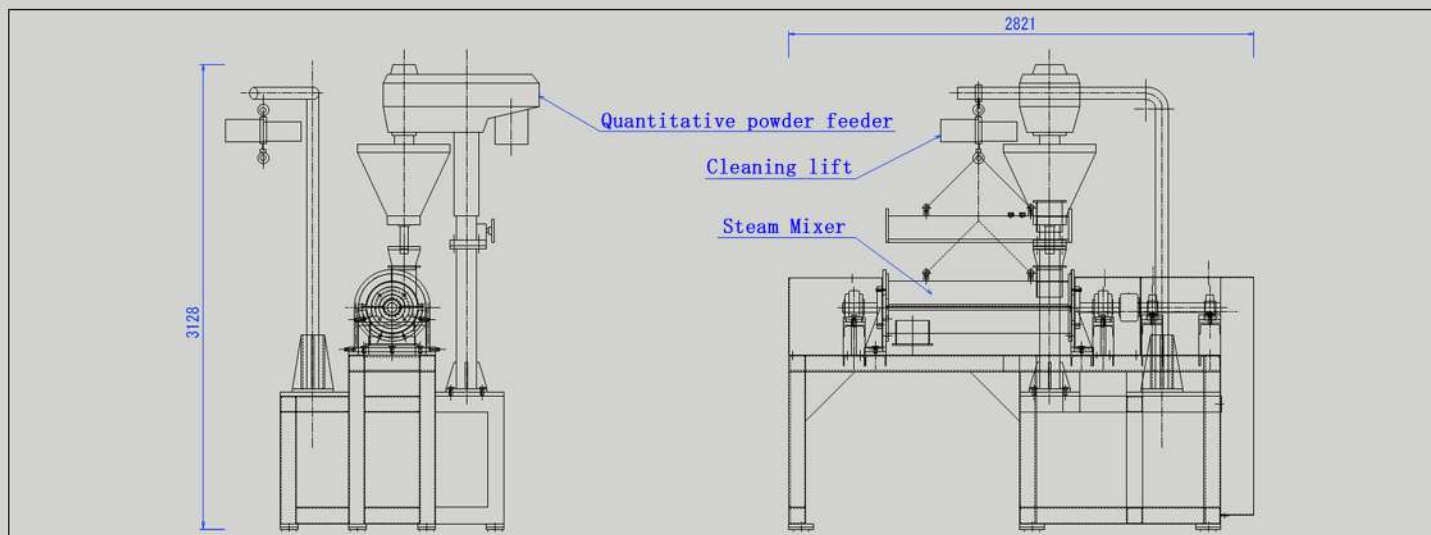
Convenient automatic quantitative
supply of raw materials

Easy process management

Stable quality with constant formulation



Agitates powder and water
automatically supplied
Add steam to alpha powder
Sugar or oil can be added
and mixed



| | | |
|-------------------|---------------|----------------|
| Stirring capacity | 125タイプ | 2000タイプ |
| Size | W : 1,380mm | W : 2,821mm |
| | D : 680mm | D : 1,360mm |
| | H : 2,120mm | H : 3,128mm |
| Power supply | 3φ AC200V 50A | 3φ AC200V 225A |



Head Office 3-8-16 Iwamotocho, Chiyoda-ku,
Tokyo 101-0032, Japan

Yachiyo Factory 1118 Yoshihashi, Yachiyo-shi,
Chiba 276-0047, Japan
Tel. +81-47-411-5080
Fax. +81-47-459-4077
Mail: yeinfo@yamazaki-eng. co. jp

Contact information

- Product specifications and appearance are subject to change without notice for improvement
- The contents of this catalog are as of April 2020